

NEW Generation Load Cells

Single Point Load Cell XBL



Special Features

- Made in Denmark
- Electropolished stainless steel 1.4542 (17-4 PH)
- Laser welded with Duplex 1.4462 stainless steel
- ATEX and IECEx certified (Zone 1, 2, 21, 22)
- Robust capacitive technology
- High tolerance of up to 1000% overload
- High accuracy, High resolution
- Laser welded (IP68)
- Load cell cable replaceable
- Capacity (Emax): 3, 5, 10, 20, 30, 50, 100, 150kg
- Accuracy: Industrial 0.025% Precision 0.015% High Precision 0.010%
- Small deflection at rated capacity
- High resonance frequency (spring rate) for rapid dynamic weighing
- Easy mechanical and electrical installation
- Digital filters
- Can be used in both ATEX / IECEx and non-ATEX installations

Applications

Applications

- Dynamic weighing
- Multihead weighers
- Factory Automation
- Packaging machines
- Filling and dosing
- Flow measurement
- Bench and platform scales
- Conveyor scales
- Process weighing
- Check weighers



Specifications

Parameter	Unit	0.025%	0.015%
Rated capacity (E_{max})	kg	3, 5, 10, 20, 30, 50, 100, 150*	
Safe overload limit	% of E_{max}	300 to 1000	
Safe sideload limit	% of E_{max}	500 to 2000	
Combined accuracy	% of E_{max}	0.025	0.015
Repeatability	% of E_{max}	0.010	0.008
Hysteresis	% of E_{max}	0.010	0.005
Creep 30 min.	% of E_{max}	0.015	0.010
Temperature effect on zero	% /10°C	0.030	0.020
Temperature effect on sensitivity	% /10°C	0.030	0.020
Compensated temperature range	°C	-10 to 50	
Operating temperature range	°C	-50 to 70 (100**)	
Deflection at E_{max}	mm	max 0.10	
Measuring rate	Hz	Up to 1000	
Supply	Vdc	24Vdc ±5%	
Internal resolution	Bit	24	
Material		Stainless Steel 17-4PH and AISI316	
Protection		IP68	
Cable		6meter standard coaxial RG-58 (Ø6mm) with BNC connector	
Maximum cable length	m	100	
Weight	kg	1.5	

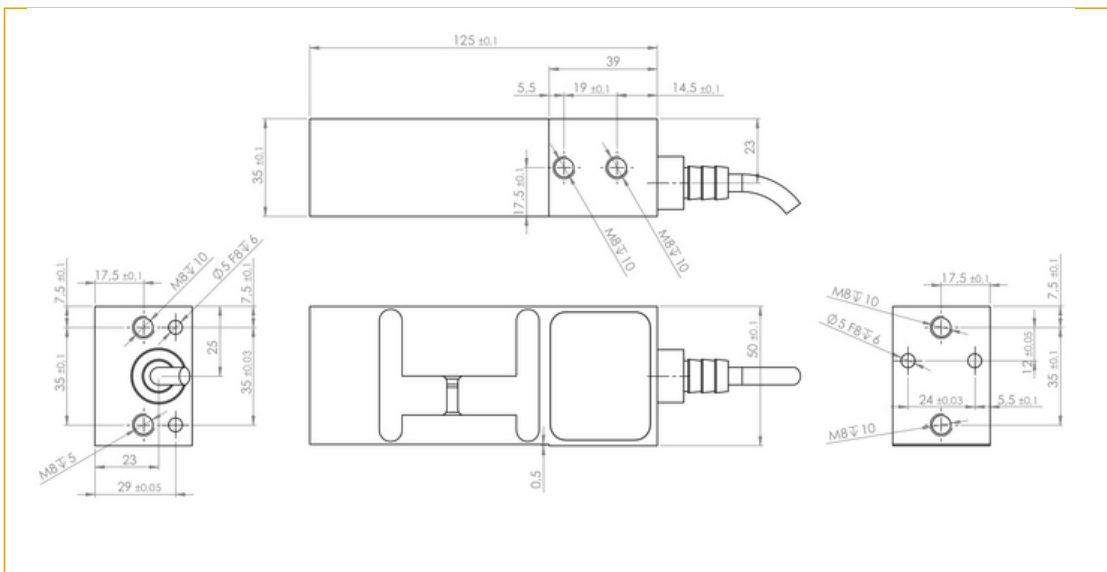
Output options PROFINET, Profibus DP, EtherNet/IP, Modbus TCP/IP, EtherCAT, RS485, 4-20mA, 0-10Vdc

* available in other capacities on request

** with Teflon cable

XBL - Eilersen

Dimensions (mm)



Options

- ATEX and IECEx (Zone 1, 2, 21, 22) version type XBL-Ex
- ATEX II 2G Ex ia IIC T6 / ATEX II 2D Ex iaD 21 T85°C
- Customized versions available
- Load cell cable length 10, 20, 50 or 100 meters
- Special PE load cell cable available for freezing low temperature (can be used down to -50 degrees Celsius)
- Special Teflon load cell cable available for very high temperature (can be used up to 100 degrees Celsius)

Documentation

- [Single Point Load Cell Type XBL Dimensions PDF](#)
- [XBL Single Point Load Cell STEP 3D CAD Fil \(click right -> "Save link as..."\)](#)
- [Guideline Correct Mounting of BNC Connector UK PDF](#)
- [VIDEO - Correct Mounting of BNC Connector \(UK\)](#)

Disclaimer and Legal Information: The information on this web site is provided in connection with products supplied by Eilersen Electric A/S and affiliated companies ("Eilersen"). No license, expressed or implied, to any intellectual property rights is granted by this information or any documents on the web site. Eilersen assumes no liability and disclaims any expressed or implied warranty, relating to sale and/or use of Eilersen products including liability or warranties relating to fitness for a particular purpose. The information on this web site is provided as a service and for information purpose only and is subject to change without prior notice. Eilersen assumes no responsibility or liability whatsoever for any errors or inaccuracies that may appear on this web site. Eilersen is not responsible for any loss of hardware, software or files, caused by the use of the web site or elements downloaded or used from/on the web site. Hence Eilersen makes no warranty, that the web site or product or services provided on the web site (including free software downloads) will meet your requirements or will be uninterrupted, timely, secure or without errors, or that the web site or the servers used by Eilersen are free of viruses or bugs or are fully functional or accurate.

TYPO3 ADMIN PANEL: poul

